



Compression Flat Load Cell® Dimensions

All Dimensions in inches and are subject to change without notice.

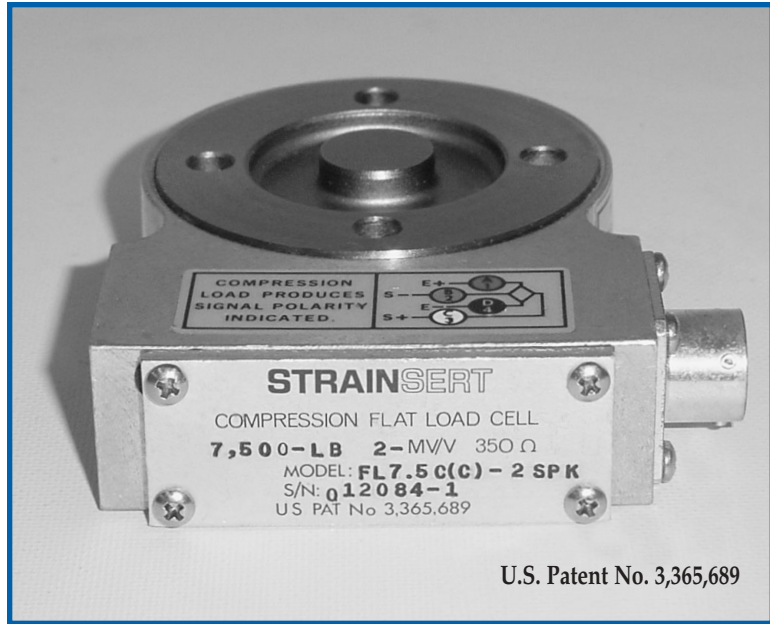
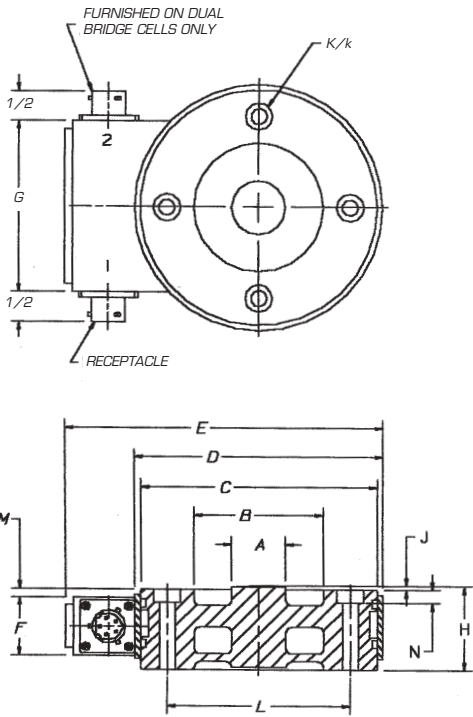
Certified Prints available on request.

CAPACITY LBS.	MODEL	A DIA.	B DIA.	C DIA.	D DIA.	E	F	G	H	J	K	L DIA.	M	N	LIFTING HOLES		WT. LBS.	
															Threads	BC DIA.		
‡250	FL025C(C)-2SG, -3SG FL025C(C)-2SP, -3SP	9/16	1-1/4	2-1/2	2-11/16	3-23/32	15/16	2-13/16	1-1/16	1/16	7/32	1/8	1-13/16	1/32	1/8	NONE	NONE	0.6
‡500	FL050C(C)-2SG, -3SG FL050C(C)-2SP, -3SP	1/2	1-5/16	2-1/2	2-11/16	3-23/32	15/16	2-13/16	1-1/16	1/16	7/32	1/8	1-7/8	1/32	1/8	NONE	NONE	0.6
‡1,000	FL100C(C)-2SG, -3SG FL100C(C)-2SP, -3SP	1/2	1-5/16	2-1/2	2-11/16	3-23/32	15/16	2-13/16	1-1/16	1/16	7/32	1/8	1-7/8	1/32	1/8	NONE	NONE	0.6
	FL100C(C)-2DG, -3DG FL100C(C)-2DP, -3DP																	
‡2,500	FL250C(C)-2SG, -3SG FL250C(C)-2SP, -3SP	9/16	1-1/2	2-1/2	2-11/16	3-23/32	15/16	2-13/16	1-1/16	1/16	1/4	5/32	1-7/8	1/32	5/32	NONE	NONE	0.6
	FL250C(C)-2DG, -3DG FL250C(C)-2DP, -3DP																	
5,000	FL500C(C)-2SG, -3SG FL500C(C)-2SP, -3SP	11/16	1-7/16	2-1/2	2-11/16	3-23/32	15/16	2-13/16	1-1/16	1/16	1/4	5/32	1-7/8	1/32	5/32	NONE	NONE	1.2
	FL500C(C)-2DG, -3DG FL500C(C)-2DP, -3DP																	
7,500	FL750C(C)-2SG, -3SG FL750C(C)-2SP, -3SP	21/32	1-7/16	2-1/2	2-11/16	3-23/32	15/16	2-13/16	1-1/16	1/16	1/4	5/32	1-7/8	1/32	5/32	NONE	NONE	1.2
	FL750C(C)-2DG, -3DG FL750C(C)-2DP, -3DP																	
10,000	FL1000C(C)-2SG, -3SG FL1000C(C)-2SP, -3SP	31/32	1-29/32	3-3/16	3-7/16	4-15/32	15/16	2-15/16	1-3/16	1/16	9/32	3/16	2-1/2	3/32	3/16	NONE	NONE	1.9
	FL1000C(C)-2DG, -3DG FL1000C(C)-2DP, -3DP																	
25,000	FL2500C(C)-2SG, -3SG FL2500C(C)-2SP, -3SP	1-1/8	2-5/8	3-7/8	4-1/8	5-5/16	1-3/8	3-3/4	1-1/2	1/16	11/32	7/32	3-1/8	3/32	3/16	NONE	NONE	4.0
	FL2500C(C)-2DG, -3DG FL2500C(C)-2DP, -3DP																	
50,000	FL5000C(C)-2SG, -3SG FL5000C(C)-2SP, -3SP	1-1/2	3-1/2	4-7/8	5-1/8	6-7/16	1-3/8	3-3/4	1-3/4	1/16	13/32	9/32	4-1/8	3/16	1/4	NONE	NONE	7.0
	FL5000C(C)-2DG, -3DG FL5000C(C)-2DP, -3DP																	
100,000	FL10000C(C)-2SG, -3SG FL10000C(C)-2SP, -3SP	2-1/16	4-15/16	6-7/8	7-1/4	8-3/4	1-1/2	3-3/4	2-1/2	1/8	1/2	11/32	5-3/4	3/16	11/32	NONE	NONE	20.9
	FL10000C(C)-2DG, -3DG FL10000C(C)-2DP, -3DP																	
150,000	FL15000C(C)-2SG, -3SG FL15000C(C)-2SP, -3SP	2-3/16	5-15/16	8-1/4	8-1/2	10-1/8	1-1/2	3-3/4	2-7/8	1/8	1/2	11/32	7	1/2	5/16	NONE	NONE	36.8
	FL15000C(C)-2DG, -3DG FL15000C(C)-2DP, -3DP																	
200,000	FL20000C(C)-2SG, -3SG FL20000C(C)-2SP, -3SP	2-5/8	6-3/8	9-1/4	9-1/2	11-1/8	1-1/2	3-3/4	3-1/2	3/16	5/8	13/32	8	9/16	3/8	NONE	NONE	53.1
	FL20000C(C)-2DG, -3DG FL20000C(C)-2DP, -3DP																	
300,000	FL30000C(C)-2SG, -3SG FL30000C(C)-2SP, -3SP	3-1/4	8-1/4	11-3/4	12-1/4	13-7/8	1-1/2	3-3/4	4-1/4	3/16	11/16	15/32	10	11/16	1/2	3/8-16 UNC	10	101.7
	FL30000C(C)-2DG, -3DG FL30000C(C)-2DP, -3DP																	
500,000	FL50000C(C)-2SG, -3SG FL50000C(C)-2SP, -3SP	4-1/8	9-7/8	14-1/2	15	16-1/2	1-1/2	3-3/4	4-1/2	1/4	11/16	15/32	12	7/8	1/2	3/8-16 UNC	12	163.5
	FL50000C(C)-2DG, -3DG FL50000C(C)-2DP, -3DP																	
1,000,000	FL100000C(C)-3SG FL100000C(C)-3DG	5-1/2	11-1/2	16-1/2	17	18-1/2	1-1/2	3-3/4	6	5/16	1-1/8	9/16*	14	1-1/8	5/8	3/8-16 UNC	14	280
1,500,000	FL150000C(C)-3SG FL150000C(C)-3DG	7	14-3/4	20-1/2	21-1/4	22-7/8	1-1/2	3-3/4	6-1/2	3/8	1-1/8	9/16*	17	2		3/4-10 UNC	17	498
2,500,000	FL250000C(C)-3SG FL250000C(C)-3DG	9	17-3/4	25-1/4	26	27-5/8	1-1/2	3-3/4	8-1/4	3/8	1-1/8	9/16*	21-3/4	2-1/2		3/4-10 UNC	21-3/4	995

‡ These load cells are of aluminum alloy construction. All others are alloy steel.

* These load cells have 8 hold down bolt holes.

All others have 4 holes, as indicated in sketch.



U.S. Patent No. 3,365,689

ORDERING INFORMATION

FL 25 C (C) - 2 S G K

K = Connector
W = Permanently Attached Cable

P = Precision 0.10% F.S. Non-Linearity
G = General Purpose 0.25% F.S. Non-Linearity

S = Single Bridge
D = Dual Bridge

2n = 2-mv/V (Nom.)* 2 = 2-mv/V (Standardized Output)
3n = 3-mv/V (Nom.)* 3 = 3-mv/V (Standardized Output)

(C) = Recessed Hold Down Bolt Holes

C = Compression

Capacity
(Thousands of Pounds)

FL = Flat Load Cell Series®

* Exact output provided with calibration data.