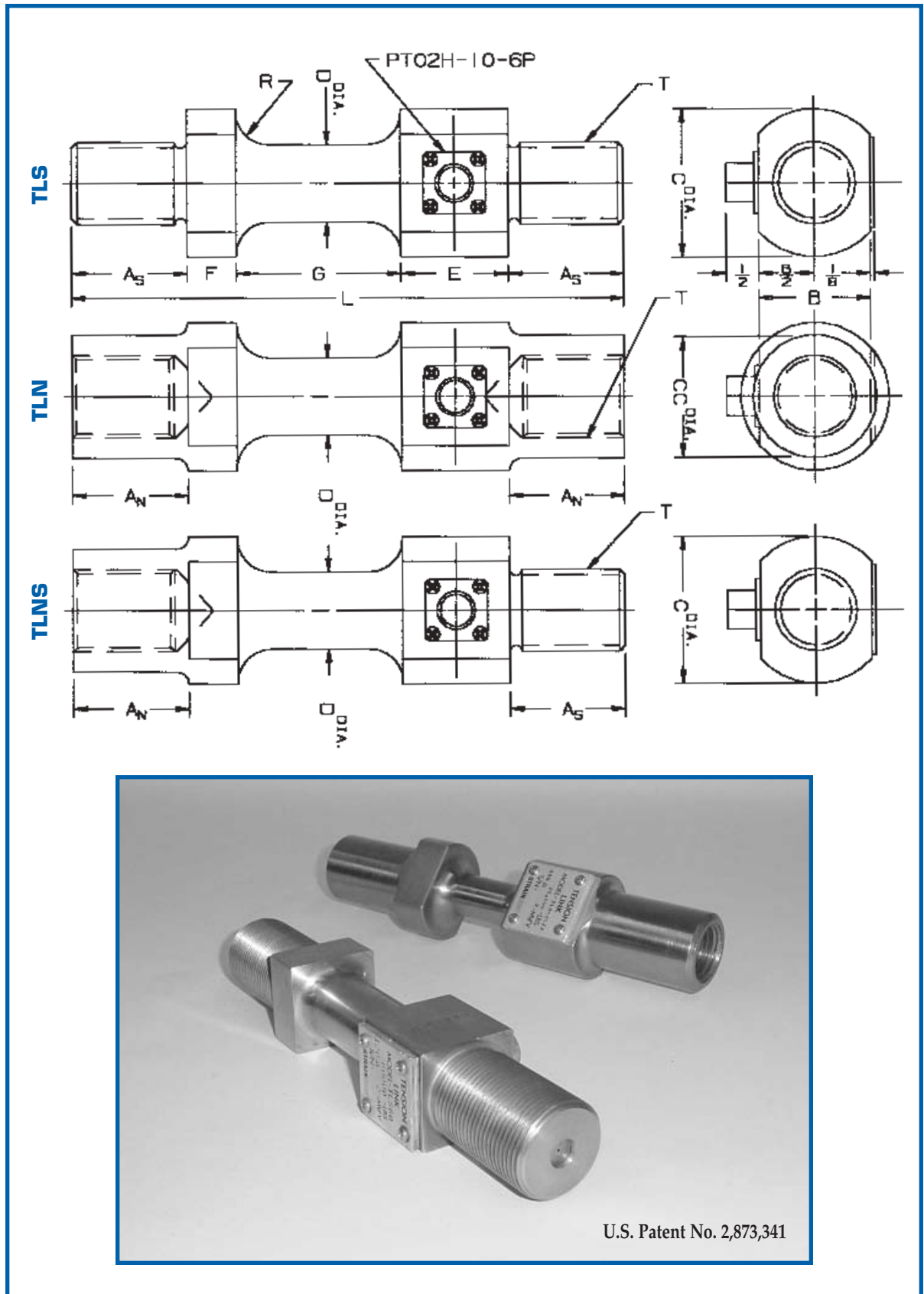




Force Sensing Tension Tension Links with Threaded Ends

TLS, TLN, TLNS Series



Force Sensing Tension Links with Threaded Ends

TLS, TLN, TLNS Series

	CAP KIPS	A _S	A _N	B	C DIA.	CC DIA.	D DIA.	E	F	G	L OVERALL LENGTH			R	T	WEIGHT-POUNDS			SAFETY FACTOR
											TLS	TLN	TLNS			TLS	TLN	TLNS	
ALUMINUM*	1	1-3/8	2	1-1/2	2	1-1/4	.475	1-1/2	5/8	1-3/4	6-5/8	7-7/8	7-1/4	1/2	7/8-14NF	0.6	0.8	0.7	4.4
	2	1-3/8	2	1-1/2	2	1-1/4	.545	1-1/2	5/8	1-3/4	6-5/8	7-7/8	7-1/4	1/2	7/8-14NF	0.6	0.8	0.7	4.4
	3	1-3/8	2	1-1/2	2	1-1/4	.608	1-1/2	5/8	1-3/4	6-5/8	7-7/8	7-1/4	1/2	7/8-14NF	0.6	0.8	0.7	4.4
	4	1-3/8	2	1-1/2	2	1-1/4	.665	1-1/2	5/8	1-3/4	6-5/8	7-7/8	7-1/4	7/16	7/8-14NF	0.6	0.8	0.7	4.4
	5	1-3/8	2	1-1/2	2	1-1/4	.718	1-1/2	5/8	1-3/4	6-5/8	7-7/8	7-1/4	7/16	7/8-14NF	0.6	0.8	0.7	4.4
	6	1-3/8	2	1-1/2	2	1-1/4	.767	1-1/2	5/8	1-3/4	6-5/8	7-7/8	7-1/4	3/8	7/8-14NF	0.6	0.8	0.7	3.9
	10	1-1/2	2-3/16	1-7/16	2	1-7/16	.968	1-5/8	3/4	1-7/8	7-1/4	8-5/8	7-15/16	3/8	1-8NC	1.2	1.4	1.3	3.1
STEEL	20	1-1/2	2-3/16	1-7/16	2	1-7/16	.802	1-5/8	3/4	1-7/8	7-1/4	8-5/8	7-15/16	3/8	1-8NC	3.0	3.5	3.3	2.7
	25	1-1/2	2-3/16	1-7/16	2	1-7/16	.875	1-5/8	3/4	1-7/8	7-1/4	8-5/8	7-15/16	3/8	1-8NC	3.1	3.6	3.4	2.3
	50	1-3/4	2-3/8	1-11/16	2-1/4	1-7/8	1.174	1-5/8	3/4	2-1/2	8-3/8	9-5/8	9	1/2	1-1/4-7NC	4.6	5.7	5.1	2.1
	60	2	3	1-11/16	2-1/4	2-1/8	1.274	1-5/8	3/4	2-5/8	9	11	10	1/2	1-1/2-6NC	5.6	7.1	6.3	2.6
	75	2-1/4	3	1-11/16	2-1/4	2-1/8	1.411	1-5/8	3/4	2-3/4	9-5/8	11-1/8	10-3/8	1/2	1-1/2-6NC	6.1	7.4	6.4	2.1
	100	2-1/2	3-1/8	2	2-1/2	2-1/2	1.614	1-5/8	3/4	3	10-3/8	11-5/8	11	1/2	1-3/4-12N	8.4	10.1	9.2	2.7
	125	2-3/4	3-1/2	2-1/4	2-3/4	2-3/4	1.794	1-7/8	1	3-1/4	11-5/8	13-1/8	12-3/8	1/2	2-12N	12.0	13.8	12.9	2.6
	150	3	3-7/8	2-1/2	3	3	1.957	1-7/8	1	3-1/2	12-3/8	14-1/8	13-1/4	1/2	2-1/4-12N	15.5	17.2	16.4	2.6
	200	3-1/2	4-3/8	3-1/8	3-1/2	3-1/2	2.249	1-7/8	1	4	13-7/8	15-5/8	14-3/4	1/2	2-1/2-12N	22.1	26.1	24.1	2.6
	250	4	5-1/8	3-3/8	3-3/4	3-3/4	2.507	1-7/8	1	4-1/2	15-3/8	17-5/8	16-1/2	1/2	2-3/4-12N	28.8	33.5	31.1	2.6
	300	4-1/2	5-3/4	3-7/8	4-1/4	4-1/4	2.740	1-7/8	1	5	16-7/8	19-3/8	18-1/8	1/2	3-12N	38.0	47.8	42.9	2.4
	400	5	6-3/8	4-3/8	4-3/4	4-3/4	3.156	1-7/8	1	5-3/4	18-5/8	21-3/8	20	1/2	3-1/2-12N	54.6	63.5	59	2.4

* Aluminum Alloy: 7075-T6; Hard Coat Finish; Rockwell C-60. All others 17-4 Stainless Steel, H-1025.

All dimensions in inches.

ORDERING INFORMATION

TLS -100 (SS) X

