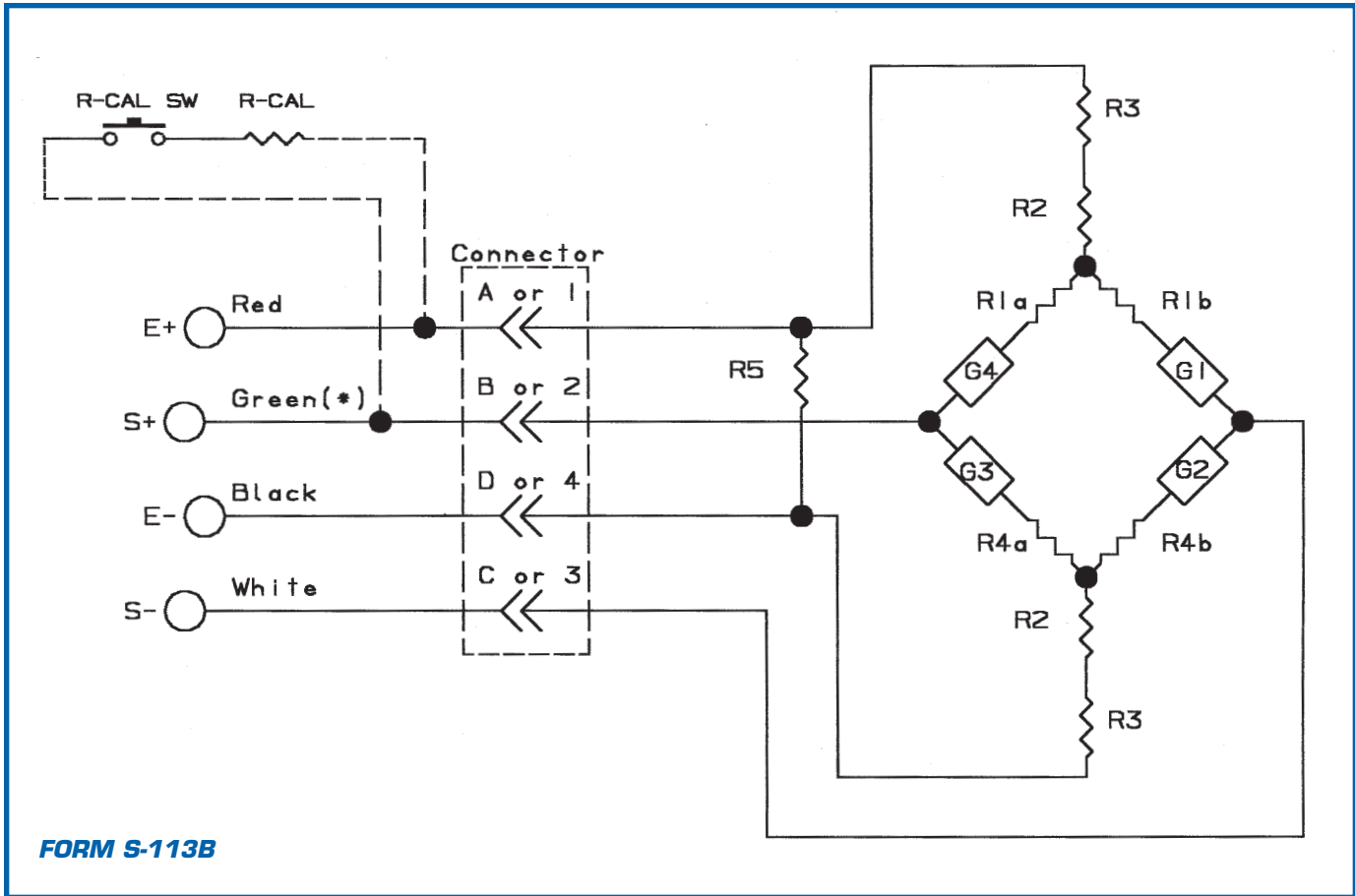


STANDARD WIRING DIAGRAMS

Standard Full Bridge Connector Pin Identification & Cable Color Code



Legend

| | |
|---------------|--------------------|
| Strain Gages: | G1, G2, G3, and G4 |
| Excitation: | E+, and E- |
| Signal: | S+ and S- |

Bridge Trim & Compensation Resistors when required, as follows:

| | | | |
|-----------------------|------------|---------------------|------------|
| Input Bridge Balance: | R1a or R1b | Temp. Compensation: | R4a or R4b |
| Signal Trim: | R2 | Modulus Trim: | R3 |
| Excitation Res. Trim: | R5 | Shunt Resistor: | R-CAL |

(Applicable notations and codes conform to Western Regional Strain Gage Committee's recommendation.)

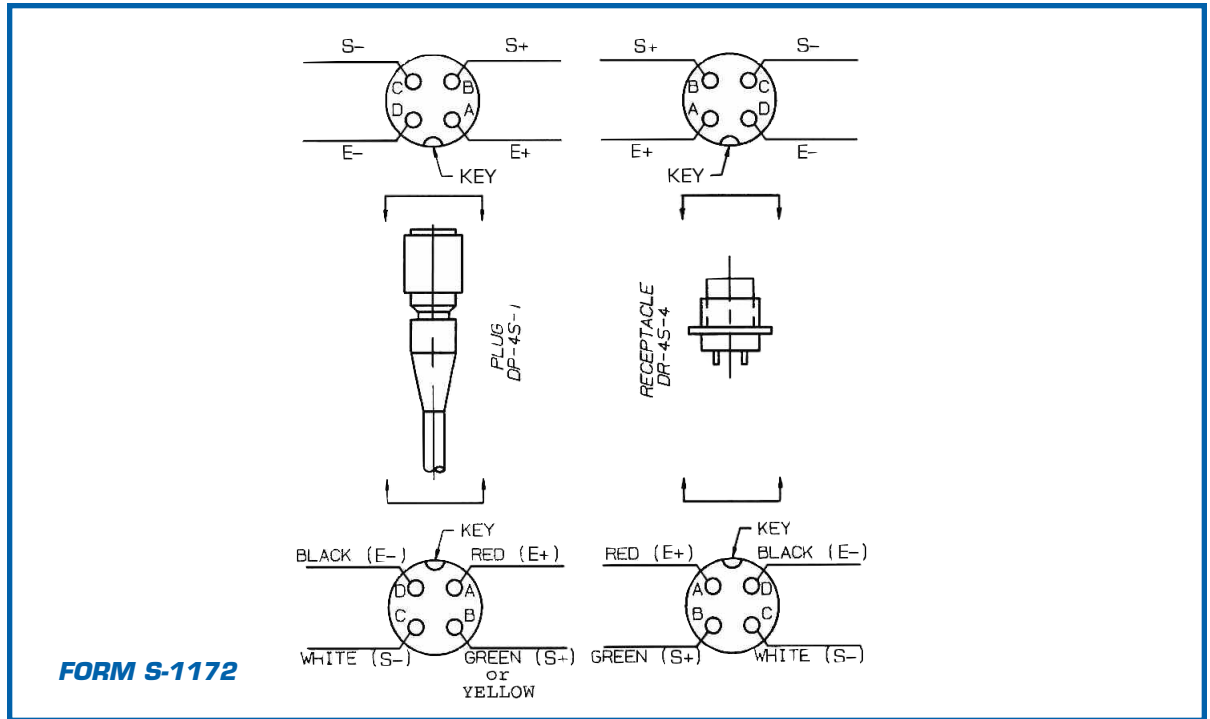
Note: Increasing tension strain in gages G1 and G3, and compression in gages G2 and G4, induces increasing signal of positive polarity.

(*) For MqT4 cable color code is yellow.

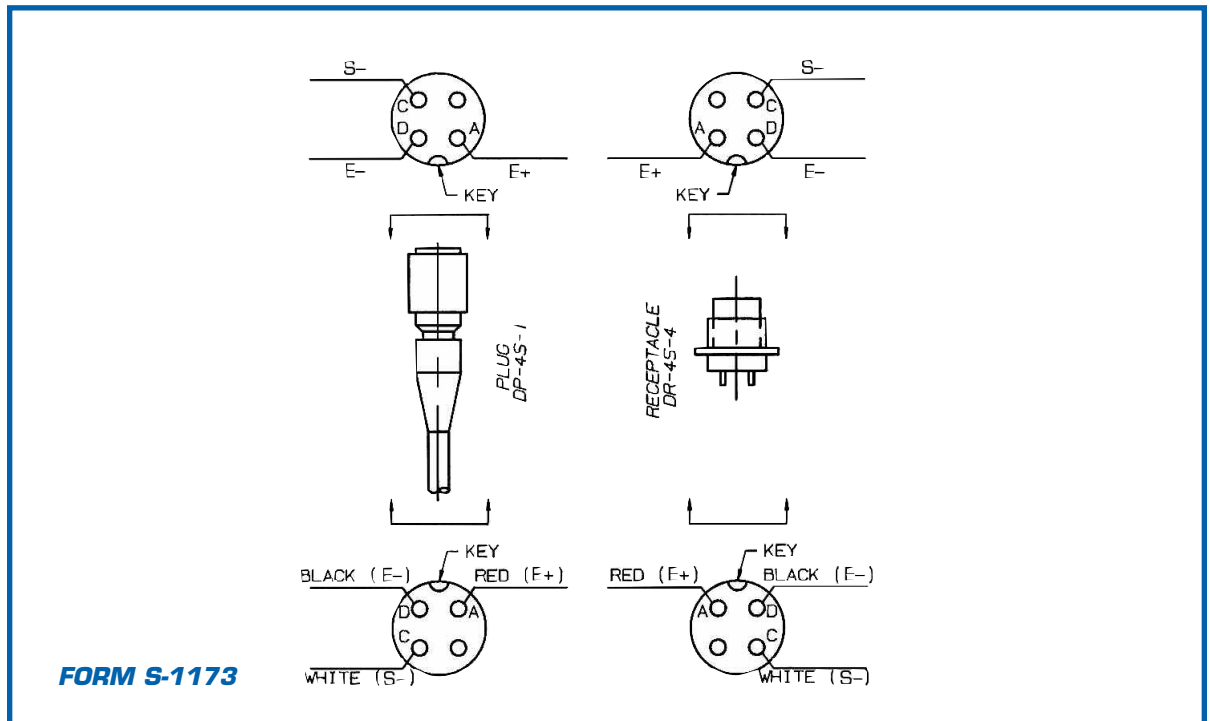


Standard Wiring Diagrams

Miniature Connector Full Bridge Wiring Diagram



Miniature Connector Quarter Bridge Wiring Diagram (3-Wire System)

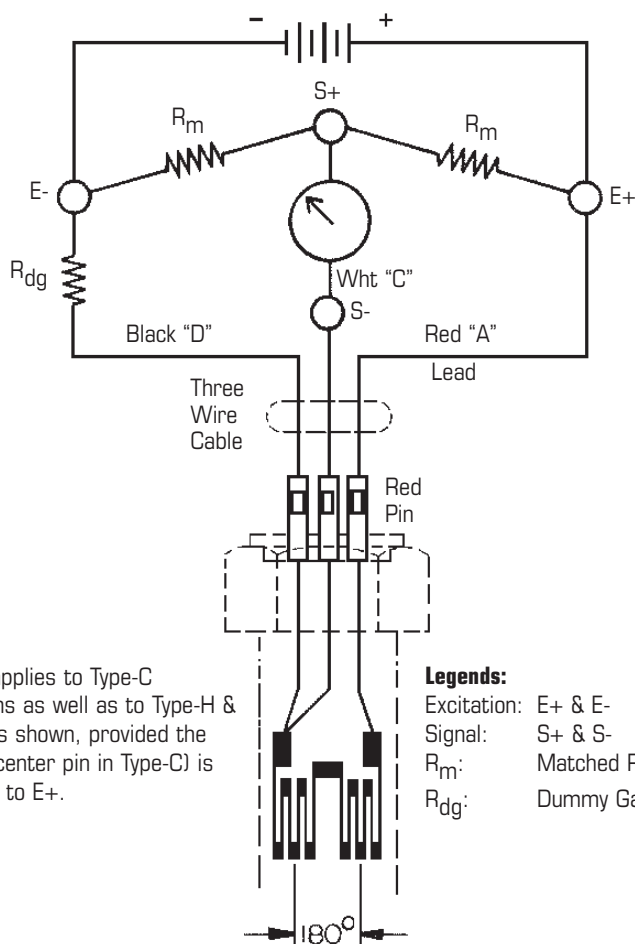


Miniature Connectors do not have pin (A, B, C, D) legends. Various bridge connectors and cable color codes are referenced from Connector Key Position, as indicated herein.

Standard Wiring Diagrams

Quarter Bridge Internal Strain Gage Installation

Three Wire Lead Color Code and Connections



FORM S-112A

Note: Increasing tension strain in gages induces an increasing signal of positive polarity.

Special strain gage with half the grid installed 180° opposite the other half minimizes stray bending effects.