

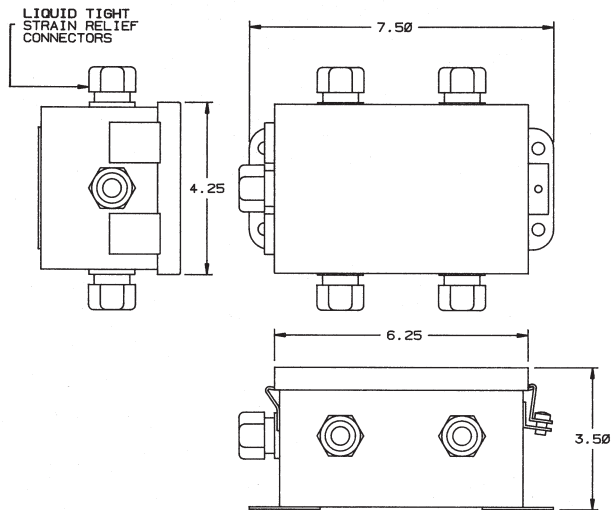


# SJB SUMMING JUNCTION BOXES

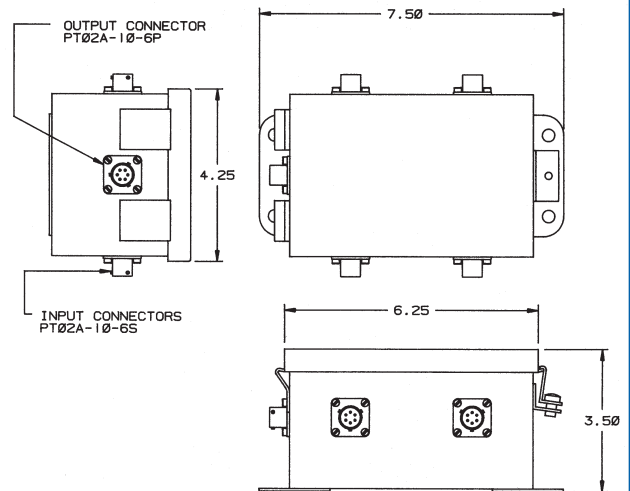
The Strainert SJB Series Summing Junction Boxes are for parallel averaging of 2 to 4 similar transducers. The standard SJB is available in a NEMA-12 steel enclosure (NEMA-4X packages are optionally available). The NEMA-12 comes in both a connector style and a cord grip style (NEMA-4X available with cord grips only). Cord grips accept cables with diameters between 0.250" to 0.375" inches. The removal of a gasket-tight lid enables the user to make cable wire connections to screw type terminal blocks mounted on an internal circuit board. Overall enclosure dimension are 7.5" (L) x 4.25" (W) x 3.5" (H).



## CORD GRIP INTERFACE



## CONNECTOR INTERFACE



(4 Channel SJB Models Illustrated)

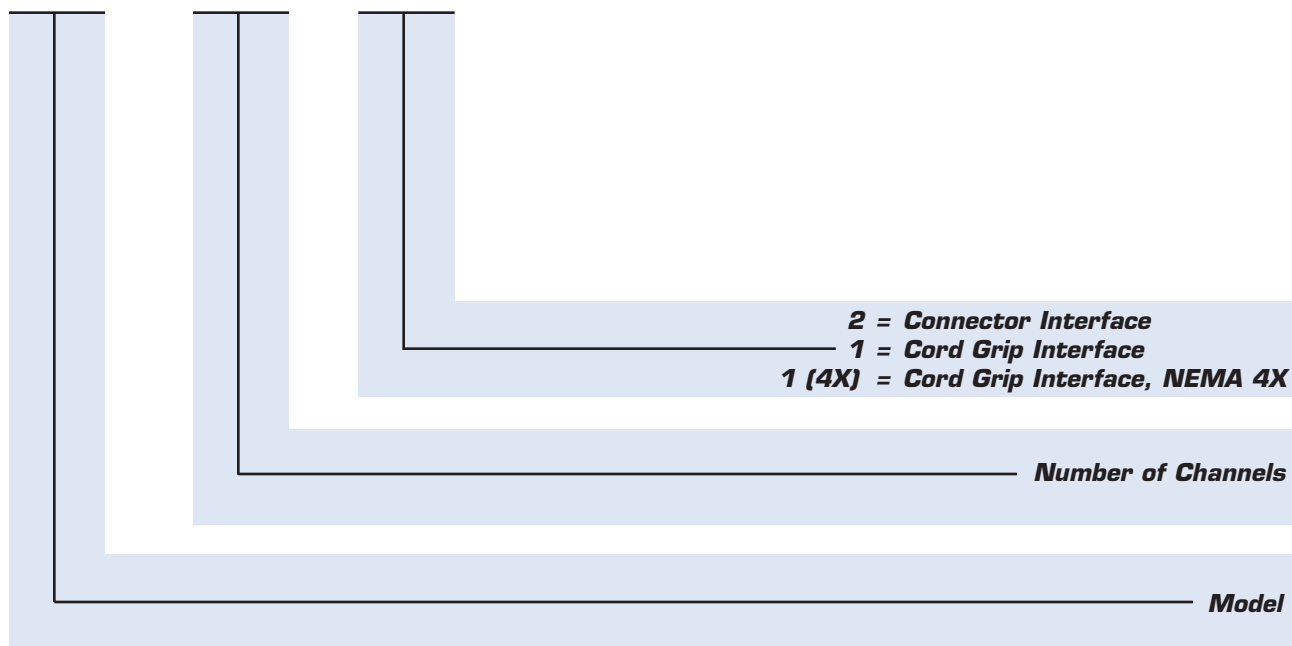
# Summing Junction Boxes

## ORDERING INFORMATION

Number of Channels	NEMA-12 Enclosure with Connector Interface	NEMA-12 Enclosure with Cord Grip Interface	NEMA-4X Enclosure with Cord Grips
2	SJB2/2	SJB2/1	SJB2/1(4X)
3	SJB3/2	SJB3/1	SJB3/1(4X)
4	SJB4/2	SJB4/1	SJB4/1(4X)

Example: SJB4/2, 4-Channel, NEMA 12 Enclosure with Connector Interface.

**SJB 4 / 2**



### MODEL SJB WIRING CONNECTION AND INSTALLATION DETAILS

