



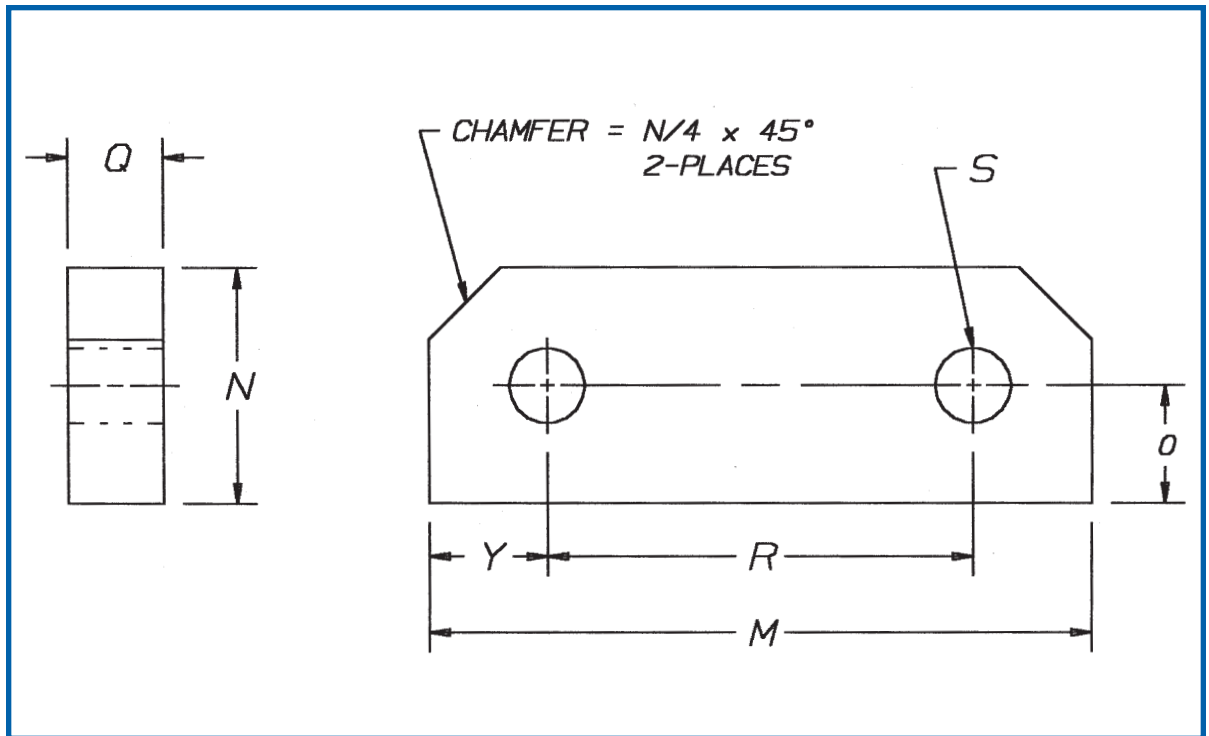
Force Sensing Clevis Pin Accessories

KEEPER PLATE SPECIFICATIONS

KEEPER PLATE NO.	M	N	O	Q	R	S DIAMETER	Y	KEEPER BOLTS	WASHERS
SPA-12.5-112-1-A	1.63	0.63	0.38	0.19	1.13	0.20	0.25	#10-32NF X 1/2	#10
SPA-16-112-1-A	1.75	0.63	0.38	0.25	1.25	0.22	0.25	#10-32NF X 5/8	#10
SPA-25-112-1-A	2.00	0.63	0.31	0.25	1.50	0.22	0.25	#10-32NF X 5/8	#10
SPA-32-112-1-A	2.50	0.75	0.38	0.25	1.75	0.28	0.38	1/4-20NC X 3/4	1/4
SPA-50-112-1-A	2.75	0.75	0.38	0.25	2.06	0.28	0.34	1/4-20NC X 3/4	1/4
SPA-65-112-1-A	3.00	0.75	0.38	0.25	2.25	0.28	0.38	1/4-20NC X 3/4	1/4
SPA-75-112-1-A	3.38	1.00	0.50	0.25	2.63	0.34	0.38	5/16-18NC X 3/4	5/16
SPA-100-112-1-A	4.00	1.00	0.50	0.38	2.75	0.41	0.63	3/8-16NC X 1	3/8
SPA-125-112-1-A	4.13	1.25	0.63	0.38	3.13	0.41	0.50	3/8-16NC X 1	3/8
SPA-160-112-1-A	4.88	1.25	0.63	0.50	3.63	0.41	0.63	3/8-16NC X 1-1/4	3/8
SPA-180-112-1-A	5.00	1.50	0.75	0.50	3.75	0.47	0.63	7/16-14NC X 1-1/4	7/16
SPA-200-112-1-A	5.75	1.75	0.88	0.50	4.25	0.53	0.75	1/2-13NC X 1-1/2	1/2
SPA-220-112-1-A	5.75	1.75	0.88	0.63	4.25	0.53	0.75	1/2-13NC X 1-1/2	1/2
SPA-275-112-1-A	6.00	1.75	0.88	0.63	4.50	0.53	0.75	1/2-13NC X 1-1/2	1/2
SPA-300-112-1-A	6.38	2.00	1.00	0.75	4.88	0.53	0.75	1/2-13NC X 1-3/4	1/2
SPA-330-112-1-A	6.75	2.00	1.00	0.75	5.00	0.53	0.88	1/2-13NC X 1-3/4	1/2
SPA-360-112-1-A	7.00	2.25	1.13	0.75	5.44	0.53	0.78	1/2-13NC X 1-3/4	1/2
SPA-400-112-1-A	7.00	2.25	1.13	0.75	5.75	0.53	0.63	1/2-13NC X 1-3/4	1/2
SPA-600-112-1-A	8.00	2.50	1.25	0.75	6.00	0.78	1.00	3/4-10NC X 2-1/4	3/4

NOMENCLATURE

M	Length of Keeper Plate	R	Distance Between Retaining Holes
N	Height of Keeper Plate	S	Retaining Hole Diameter
O	Distance from Base of Keeper Plate to Hole Center	Y	Distance from Edge of Keeper Plate to the Hole Center
Q	Thickness of Keeper Plate		



Clevis Bolt Threaded Collars*

CUSTOM CLEVIS BOLT	SHACKLE CLEVIS BOLT	COLLAR-THREADED	
CBA	RCP / SCP	PART #	WIDTH X OD
		1/4-28SS	1/4 X 13/16
-0.375-1	-0.437	5/16-24SS	1/4 X 13/16
-0.5-1		3/8-24SS	5/16 X 1-1/16
-0.75-1	-0.625 -0.750	1/2-20SS	3/8 X 1-1/4
-1	-0.875 -1.000	3/4-16SS 3/4-16SS	1/2 X 1-3/4 1/2 X 1-3/4
	-1.125	7/8-14SS	
-1.25	-1.250 -1.375	1-14SS 1-14SS	1/2 X 2 1/2 X 2
-1.5	-1.500 -1.625	1-1/4-12SS 1-1/4-12SS	1/2 X 2-1/4 1/2 X 2-1/4
-2	-2.000	1-1/2-12SS	1/2 X 2-1/2
-2.5	-2.250	1-3/4-16SS	5/8 X 3
-2.75	-2.750	2-12SS	5/8 X 3-1/4

* Larger Sizes are Available Upon Request and Availability.

Clevis Pin Bobbins

MODEL NO.	SHACKLE SIZE D	CAPACITY LBS.	A DIA.	B DIA.	C DIA.	D DIA.	E	F	J	K DIA.
SCP-1.125-S	1"	16,000	1.125	1.250	1.500	1.987	1.687	0.125	1.141	0.750
SCP-1.250-S	1-1/8	22,000	1.250	1.375	1.625	2.313	1.813	0.125	1.375	1.000
SCP-1.375-S	1-1/4	25,000	1.375	1.625	1.875	2.625	2.031	0.125	1.625	1.125
SCP-1.625-S	1-1/2	32,000	1.625	1.875	2.125	3.000	2.375	0.125	1.875	1.375
SCP-2.000-S	1-3/4	50,000	2.000	2.250	2.625	3.750	2.875	0.188	2.313	1.625
SCP-2.250-S	2"	65,000	2.250	2.500	2.875	4.250	3.250	0.188	2.563	1.875
SCP-2.750-S	2-1/2	100,000	2.750	3.000	3.375	4.875	4.125	0.188	3.188	2.375
SCP-3.250-S	3"	150,000	3.250	3.500	3.875	5.250	5.000	0.188	3.500	2.750
SCP-3.750-S	3-1/2	180,000	3.750	4.125	4.625	6.000	5.750	0.250	4.125	3.250
SCP-4.250-S	4"	220,000	4.250	4.750	5.250	7.000	6.500	0.250	4.625	3.750

