



Universal Flat Load Cell® Dimensions

All Dimensions in inches and are subject to change without notice.

Certified Prints available on request.

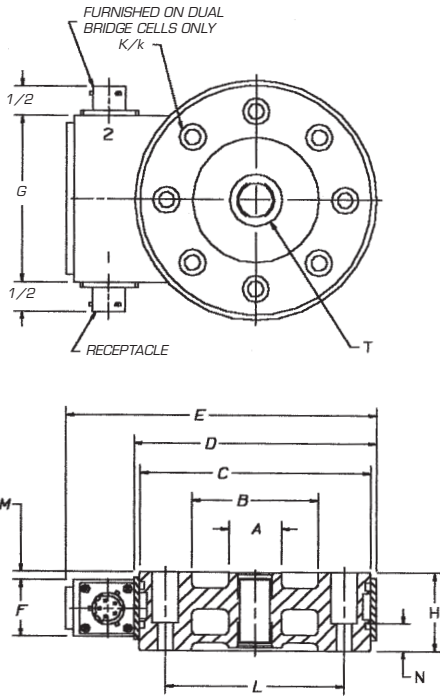
CAPACITY LBS.	MODEL	A DIA.	B DIA.	C DIA.	D DIA.	E	F	G	H	K	k DIA.	L DIA.	M	N	T	LIFTING HOLES		WT. LBS.
																Threads	BC DIA.	
‡250	FL025U(C)-2SG,-3SG FL025U(C)-2SP,-3SP	11/16	1-7/16	2-1/2	2-11/16	3-23/32	15/16	2-13/16	1	11/32	7/32	1-15/16	1/32	5/16	1/4-20UNC-2B or 9/32 D. Thru Hole	NONE	NONE	0.6
	FL05U(C)-2SG FL05U(C)-2SP																	
‡1,000	FL1U(C)-2SG,-3SG FL1U(C)-2SP,-3SP	11/16	1-7/16	2-1/2	2-11/16	3-23/32	15/16	2-13/16	1	11/32	7/32	1-15/16	1/32	5/16	5/16-18UNC-2B or 11/32 D. Thru Hole	NONE	NONE	0.6
	FL1U(C)-2DG,-3DG FL1U(C)-2DP,-3DP																	
‡2,500	FL2.5U(C)-2SG,-3SG FL2.5U(C)-2SP,-3SP	11/16	1-7/16	2-1/2	2-11/16	3-23/32	15/16	2-13/16	1	11/32	7/32	1-15/16	1/32	5/16	3/8-16UNC-2B or 13/32 D. Thru Hole	NONE	NONE	0.6
	FL2.5U(C)-2DG,-3DG FL2.5U(C)-2DP,-3DP																	
5,000	FL5U(C)-2SG,-3SG FL5U(C)-2SP,-3SP	21/32	1-7/16	2-1/2	2-11/16	3-23/32	15/16	2-13/16	1	11/32	7/32	1-15/16	1/32	5/16	7/16-20UNF-2B or 15/32 D. Thru Hole	NONE	NONE	1.1
	FL5U(C)-2DG,-3DG FL5U(C)-2DP,-3DP																	
7,500	FL7.5U(C)-2SG,-3SG FL7.5U(C)-2SP,-3SP	21/32	1-7/16	2-1/2	2-11/16	3-23/32	15/16	2-13/16	1	11/32	7/32	1-15/16	1/32	5/16	7/16-20UNF-2B or 15/32 D. Thru Hole	NONE	NONE	1.1
	FL7.5U(C)-2DG,-3DG FL7.5U(C)-2DP,-3DP																	
10,000	FL10U(C)-2SG,-3SG FL10U(C)-2SP,-3SP	1-1/16	1-13/16	3-3/16	3-7/16	4-15/32	15/16	2-15/16	1	13/32	9/32	2-7/16	1/32	3/8	5/8-18UNF-2B or 21/32 D. Thru Hole	NONE	NONE	1.7
	FL10U(C)-2DG,-3DG FL10U(C)-2DP,-3DP																	
25,000	FL25U(C)-2SG,-3SG FL25U(C)-2SP,-3SP	1-5/8	2-27/32	4-7/8	5-1/8	6-7/16	1-3/8	3-3/4	1-1/2	41/64	13/32	3-3/4	1/16	1/2	1-14UNF-2B or 1-1/32 D. Thru Hole	NONE	NONE	5.9
	FL25U(C)-2DG,-3DG FL25U(C)-2DP,-3DP																	
35,000	FL35U(C)-2SG,-3SG FL35U(C)-2SP,-3SP	1-15/16	3-3/8	5-7/8	6-1/8	7-7/16	1-1/2	3-3/4	1-5/8	23/32	31/64	4-1/2	1/16	1/2	1-1/4-12N-2B or 1-1/4 D. Thru Hole	NONE	NONE	9.4
	FL35U(C)-2DG,-3DG FL35U(C)-2DP,-3DP																	
50,000	FL50U(C2)-2SG,-3SG FL50U(C2)-2SP,-3SP	2-3/16	3-7/8	6-7/8	7-1/4	8-3/4	1-1/2	3-3/4	1-3/4	25/32	17/32	5-1/4	1/8	9/16	1-1/2-12N-2B or 1-17/32 D. Thru Hole	NONE	NONE	15.1
	FL50U(C2)-2DG,-3DG FL50U(C2)-2DP,-3DP																	
75,000	FL75U(C1)-2SG,-3SG FL75U(C1)-2SP,-3SP	2-13/16	4-3/4	8-1/4	8-1/2	10-1/8	1-1/2	3-3/4	2-3/8	1-3/16	13/16	6-1/2	7/16	7/8	1-3/4-12N-2B or 1-25/32 D. Thru Hole	NONE	NONE	30.0
	FL75U(C1)-2DG,-3DG FL75U(C1)-2DP,-3DP																	
100,000	FL100U(C)-2SG,-3SG FL100U(C)-2SP,-3SP	3-3/8	5-5/8	9-1/4	9-1/2	11-1/8	1-1/2	3-3/4	2-3/4	1-3/16	13/16	7-1/4	7/16	7/8	2-12N-2B or 2 D. Thru Hole	NONE	NONE	41.8
	FL100U(C)-2DG,-3DG FL100U(C)-2DP,-3DP																	
150,000	FL150U(C)-2SG,-3SG FL150U(C)-2SP,-3SP	4-3/8	7	10-3/4	11-1/8	12-11/16	1-1/2	3-3/4	3-1/2	1-3/16	13/16*	8-3/4	9/16	1-1/8	2-3/8-12N-2B or 2-13/32 D. Thru Hole	3/8-16 UNC	3-1/8	59.5
	FL150U(C)-2DG,-3DG FL150U(C)-2DP,-3DP																	
200,000	FL200U(C)-2SG,-3SG FL200U(C)-2SP,-3SP	4-3/8	7-3/4	11-3/4	12-1/4	13-7/8	1-1/2	3-3/4	4	1-3/16	13/16*	9-3/4	11/16	1-1/4	2-3/8-12N-2B or 2-13/32 D. Thru Hole	3/8-16 UNC	3-1/2	89.9
	FL200U(C)-2DG,-3DG FL200U(C)-2DP,-3DP																	
300,000	FL300U(C)-2SG,-3SG FL300U(C)-2SP,-3SP	5	9-1/4	14-1/2	15	16-1/2	1-1/2	3-3/4	4	1-5/8	1-1/16*	11-3/4	11/16	1-3/4	3-12N-2B or 3-1/32 D. Thru Hole	3/8-16 UNC	4-1/8	170
	FL300U(C)-2DG,-3DG FL300U(C)-2DP,-3DP																	
400,000	FL400U(C)-2SG,-3SG FL400U(C)-2SP,-3SP	5-5/8	10-5/8	16-1/2	17	18-1/2	1-1/2	3-3/4	4-1/2	1-13/16	1-7/32*	13-1/2	7/8	1-3/8	3-1/2-8N-2B or 3-9/16 D. Thru Hole	3/8-16 UNC	4-1/8	201
	FL400U(C)-2DG,-3DG FL400U(C)-2DP,-3DP																	
1,000,000	FL1000U-2-1/2SG FL1000U-2-1/2DG	8-3/4	14	20-1/2	21-1/4	23	1-1/2	3-3/4	6		1-5/16†	17	1-1/2	6-8 UN-2B	3/8-16 UNC	7-3/8	435	
2,000,000	FL2000U-2-1/2SG FL2000U-2-1/2DG	11-3/8	18-1/8	25-1/4	26	27-5/8	1-1/2	3-3/4	7-1/2		1-9/16†	21-3/4	1-7/8	8-8UN-2B	1/2-13 UNC	23-3/4	725	

‡ These load cells are of aluminum alloy construction. All others are alloy steel.

* These load cells have 16 hold down bolt holes.

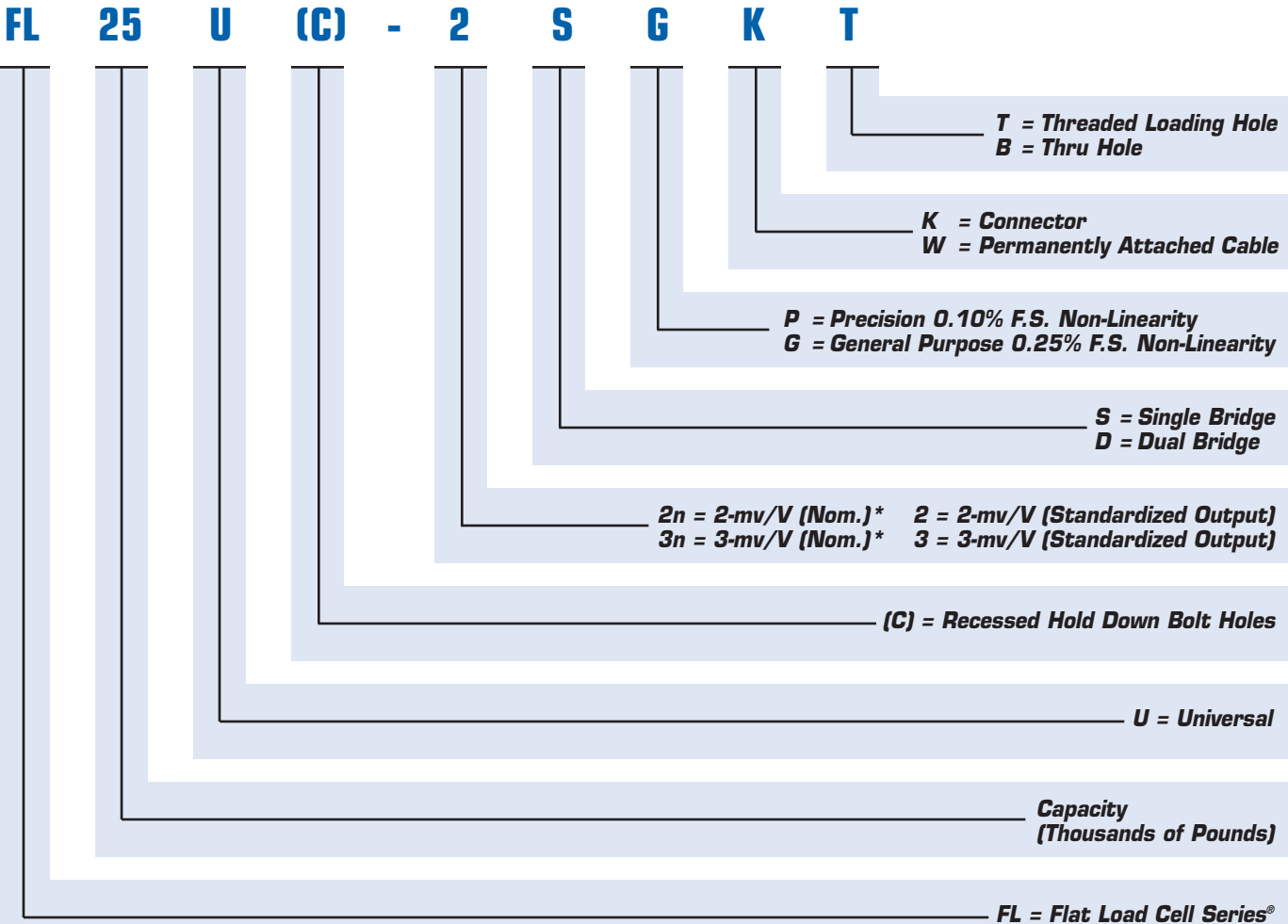
† These load cells have 24 hold down bolt holes.

All others have 8 holes, as indicated in sketch.



U.S. Patent No. 3,365,689

ORDERING INFORMATION



* Exact output provided with calibration data.