



Metric Universal Flat Load Cell® Dimensions

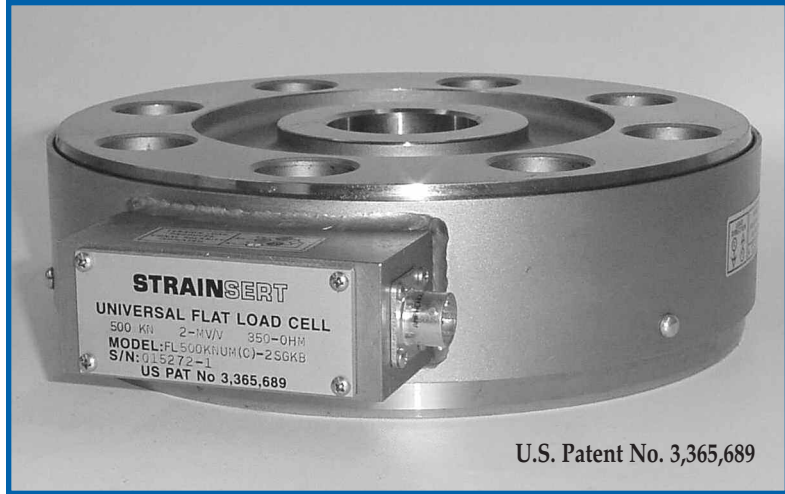
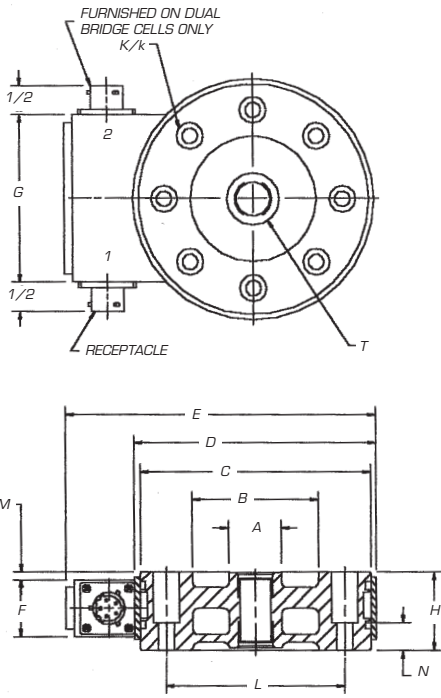
All Dimensions in millimeters and subject to change without notice.

Certified Prints available on request.

CAPACITY KN	CAPACITY LBS.	MODEL	A DIA.	B DIA.	C DIA.	D DIA.	E	F	G	H	K	K DIA.	L DIA.	M	N	T Metric Threads	TH DIA.	Lifting Holes Threads	B.C. DIA.	WT. KG.
1.1	† 250	FL025UM(C)-	17.5	36.5	63.5	66.7	93.7	23.8	71.4	25.4	8.73	5.56	49.2	0.8	7.9	M10 x 1.5	10.53 +0.02 Thru Hole	NONE	NONE	0.3
2.2	† 500	FL05UM(C)-																		
4.5	† 1,000	FL1UM(C)-	17.5	36.5	63.5	66.7	93.7	23.8	71.4	25.4	8.73	5.56	49.2	0.8	7.9	M10 x 1.5	10.53 +0.02 Thru Hole	NONE	NONE	0.3
11.1	† 2,500	FL2.5UM(C)-	17.5	36.5	63.5	66.7	93.7	23.8	71.4	25.4	8.73	5.56	49.2	0.8	7.9	M10 x 1.5	10.53 +0.02 Thru Hole	NONE	NONE	0.3
22.2	5,000	FL5UM(C)-	16.7	36.5	63.5	66.7	93.7	23.8	71.4	25.4	8.73	5.56	49.2	0.8	7.9	M12 x 1.25	12.53 +0.02 Thru Hole	NONE	NONE	0.5
33.4	7,500	FL7.5UM(C)-	16.7	36.5	63.5	66.7	93.7	23.8	71.4	25.4	8.73	5.56	49.2	0.8	7.9	M12 x 1.25	12.53 +0.02 Thru Hole	NONE	NONE	0.5
45	10,000	FL10UM(C)-	27.0	46.0	81.0	85.7	113	23.8	74.6	25.4	10.32	7.14	61.9	0.8	9.5	M16 x 1.5	16.53 +0.02 Thru Hole	NONE	NONE	0.8
112	25,000	FL25UM(C)-	41.3	72.0	124	130	164	34.9	95.3	38.1	16.27	10.32	95.3	1.6	12.7	M27 x 2	27.53 +0.03 Thru Hole	NONE	NONE	2.7
156	35,000	FL35UM(C)-	49.2	85.7	149	156	189	38.1	95.3	41.3	18.26	12.30	114	1.6	12.7	M33 x 2	33.53 +0.04 Thru Hole	NONE	NONE	4.3
223	50,000	FL50UM(C)-	57.2	102	175	184	222	38.1	95.3	44.5	19.84	13.49	133	3.2	14.3	M36 x 2	36.53 +0.04 Thru Hole	NONE	NONE	6.9
334	75,000	FL75UM(C)-	71.4	121	210	216	257	38.1	95.3	60.3	30.96	20.64	165	11.1	22.2	M45 x 2	45.53 +0.04 Thru Hole	NONE	NONE	13.6
445	100,000	FL100UM(C)-	85.7	143	235	241	283	38.1	95.3	69.9	30.96	20.64	184	11.1	22.2	M52 x 2	52.55 +0.05 Thru Hole	NONE	NONE	19
667	150,000	FL150UM(C)-*	111	178	273	283	322	38.1	95.3	88.9	30.96	20.64	222	14.3	28.6	M60 x 2	60.55 +0.05 Thru Hole	M10	79.4	27
890	200,000	FL200UM(C)-*	111	197	299	311	352	38.1	95.3	102	30.96	20.64	248	17.5	31.8	M60 x 2	62.00 +0.05 Thru Hole	M10	88.9	41
1335	300,000	FL300UM(C)-*	127	235	368	381	419	38.1	95.3	102	39.69	26.99	299	17.5	31.8	M76 x 2	76.55 +0.05 Thru Hole	M10	104.8	62
1780	400,000	FL400UM(C)-*	143	270	419	432	470	38.1	95.3	114	46.04	30.96	343	22.2	34.9	M90 x3	90.55 +0.06 Thru Hole	M10	117.5	91

† These load cells are of aluminum alloy construction. All others are alloy steel.

* These cells have 16 hold down bolt holes.



ORDERING INFORMATION

FL 25 UM (C) - 2 S G K T

*T = Threaded Loading Hole
B = Thru Hole*

*K = Connector
W = Permanently Attached Cable*

*P = Precision 0.10% F.S. Non-Linearity
G = General Purpose 0.25% F.S. Non-Linearity*

*S = Single Bridge
D = Dual Bridge*

2n = 2-mv/V (Nom.) 2 = 2-mv/V (Standardized Output)
3n = 3-mv/V (Nom.)* 3 = 3-mv/V (Standardized Output)*

(C) = Recessed Hold Down Bolt Holes

UM = Universal Metric

*Capacity
(Thousands of Pounds)*

FL = Flat Load Cell Series®

* Exact output provided with calibration data.